

QLA-2000-6000-39-45

2~6GHz, 39dB, 4.5dB

Features:
 * Broad Band
 * Low Noise

Applications:
 * Wireless
 * Receiver
 * Laboratory Test
 * Radar

Electrical

Frequency:	2~6GHz
Gain:	39dB min.
Gain Flatness:	±0.8dB typ.
Output Power (P1dB):	23dBm min.
Noise Figure:	4.5dB max..
Input VSWR:	2 max.
Output VSWR:	2 max.
Voltage:	+10V DC typ.
Current:	300mA typ.
Impedance:	50Ω

Mechanical

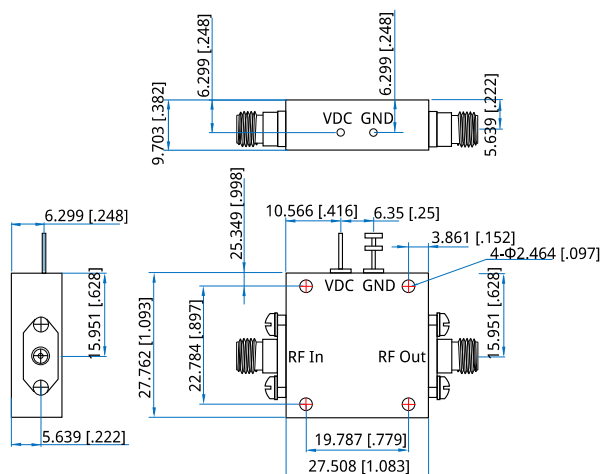
Size ^{*1} :	27.508*27.762*9.703mm 1.083*1.093*0.382in
RF Connectors:	SMA Female
Mounting:	4-Φ2.464mm through-hole

[1] Exclude connectors.

Environmental

Operating Temperature:	-20~+70°C
Non-operating Temperature:	-40~+85°C

Outline Drawings



Unit: mm [in]

Tolerance: ±0.2mm [±0.008in]

How To Order

QLA-2000-6000-39-45

Customization is available upon request.